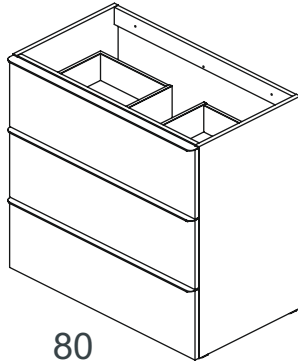
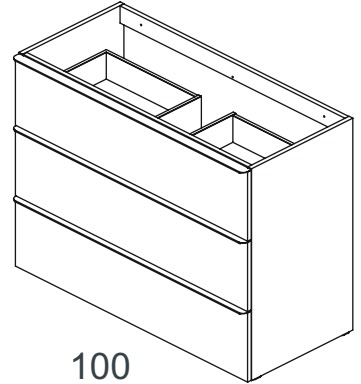


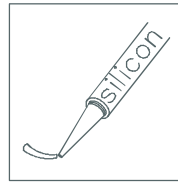
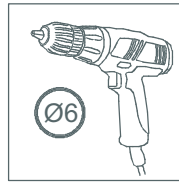
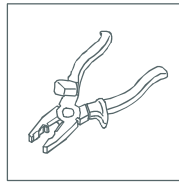
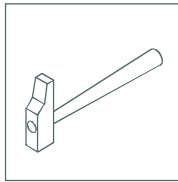
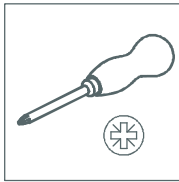
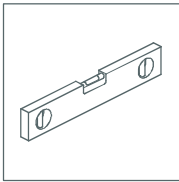
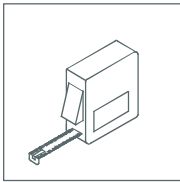
60  
23 5/8"



80  
31 1/2"



100  
39 3/8"



Ø6x 2  
Ø0 4/16"x2



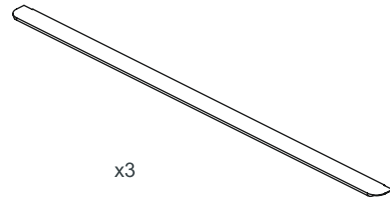
Ø4x4-0  
Ø0 3/16"x40



PAT-037 x4

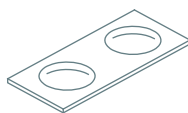


Ø4x16  
Ø0 3/16"x16

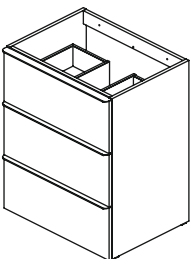
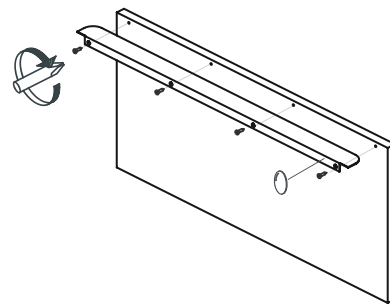


x3

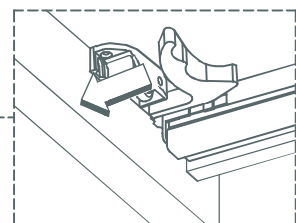
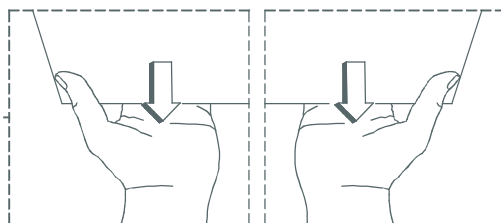
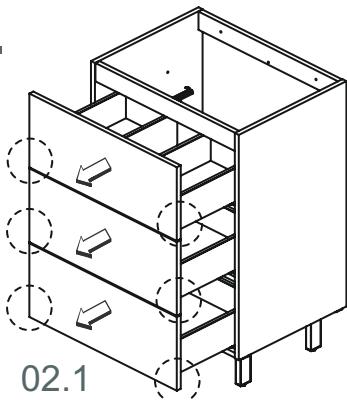
## 01.



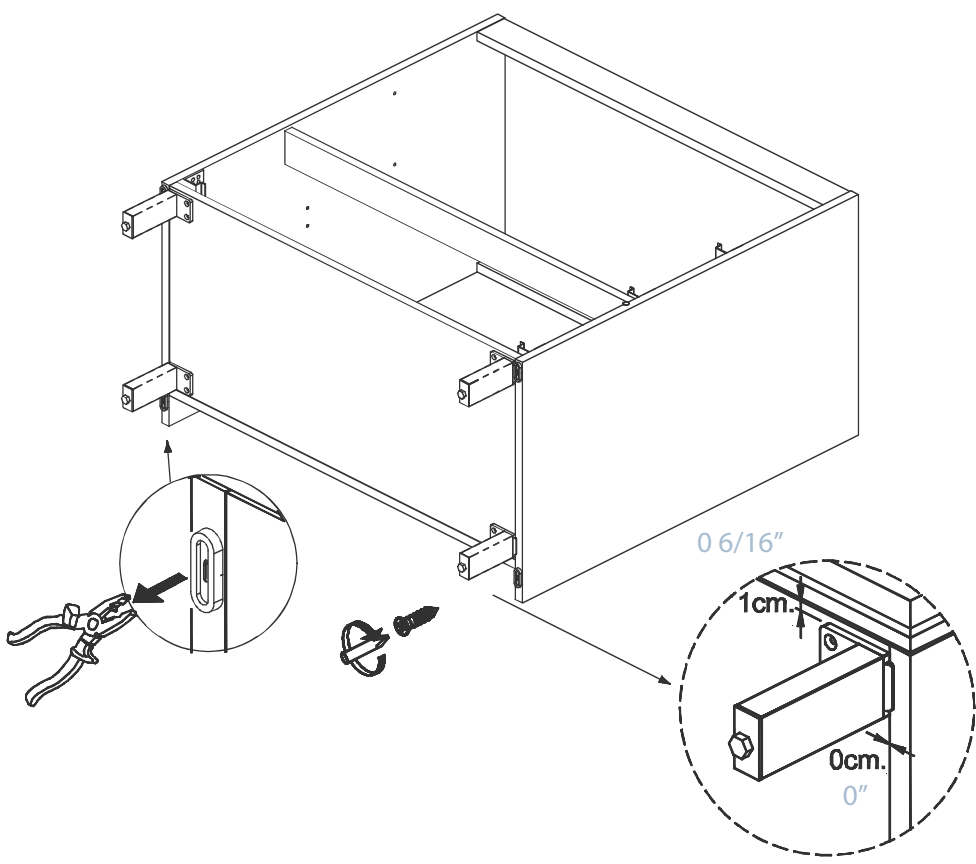
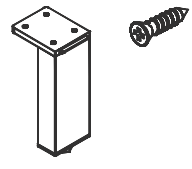
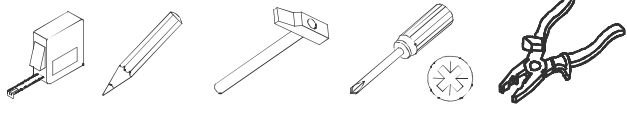
x6



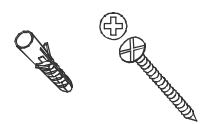
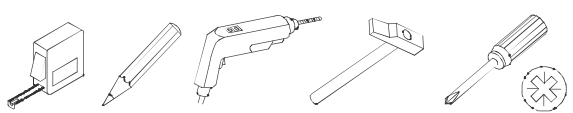
## 02.



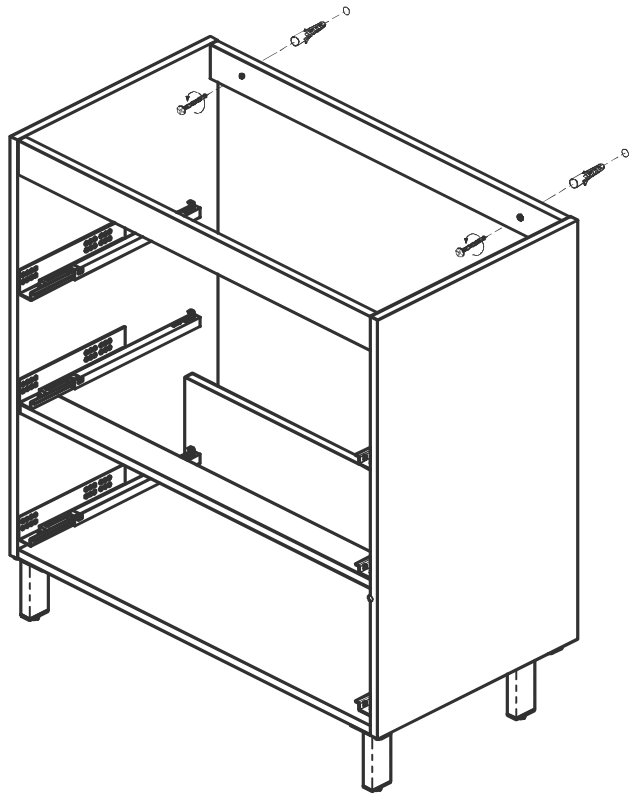
03.



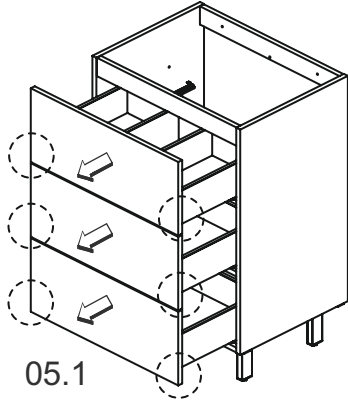
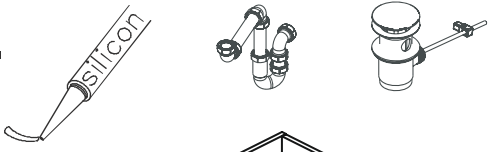
04.



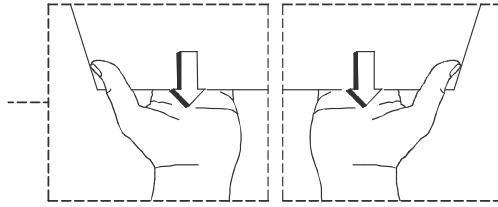
ø6x2 ø4x40



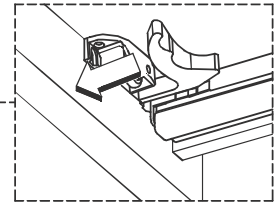
05.



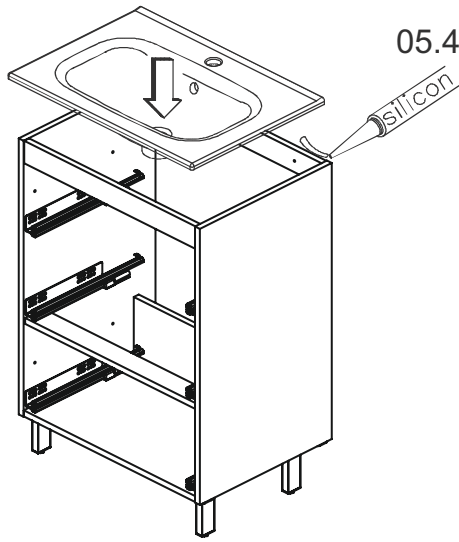
05.1



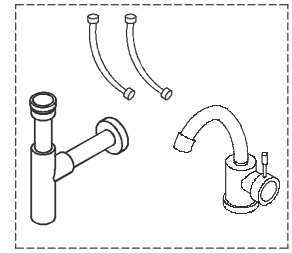
04.2



05.3

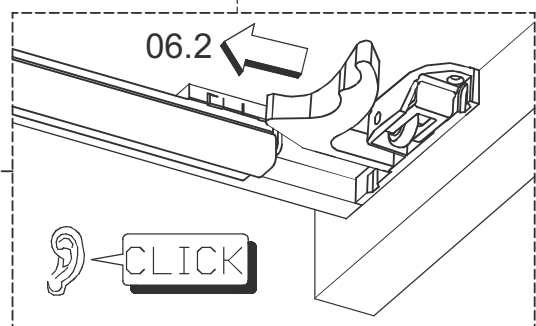
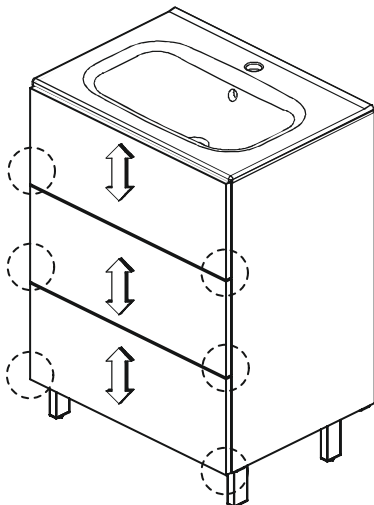
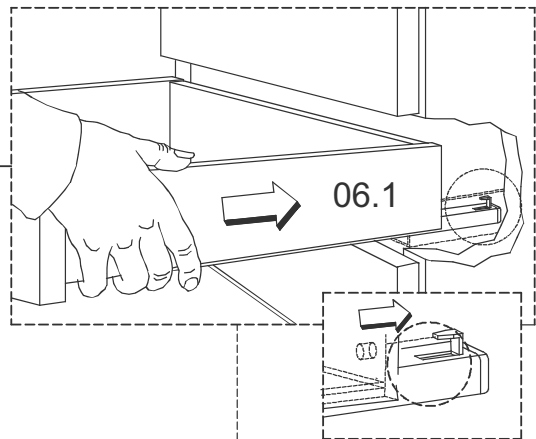
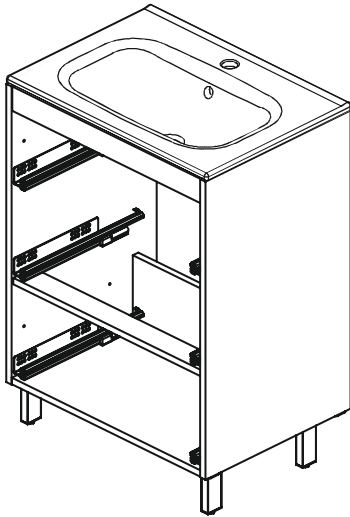


05.4



05.5

06.



07.

